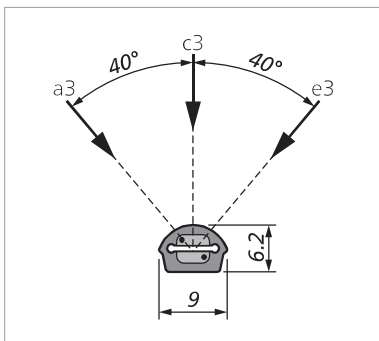


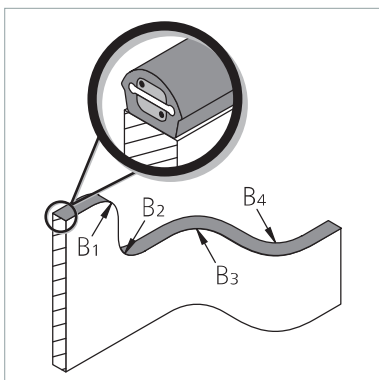
Sensors

7500509 EKS 002 TPE



Dimensional tolerances according to ISO 3302 E2/L2

Bend radii:



Switching characteristics at $v_{test} = 50 \text{ mm/min}$			
Actuation force (c3)	+23 °C	-25 °C	-40 °C
Test piece (rod) Ø 20 mm	< 15 N	< 20 N	< 30 N
Test piece (cylinder) Ø 80 mm	< 60 N	< 100 N	< 130 N
Actuation distance (c3)	< 1.5 mm		
Actuation angle (a3 to e3)	±40°		
Test piece (cylinder) Ø 80 mm			
Safety classifications			
ISO 13849-1: B _{10D}	2 × 10 ⁶		
Mechanical operating conditions			
Sensor length (min./max.)	100 mm / 150 m		
Cable length (min./max.)	200 mm / 100 m		
Tensile load, cable (max.)	60 N		
Bend radii, minimum	50 / 80 / 120 / 120 mm		
B ₁ / B ₂ / B ₃ / B ₄			
IEC 60529: degree of protection	IP67		
EN 50125-1:			
Air temperature class	TX		
Class of altitude range	AX, max. 2000 m NHN		
Max. humidity at	100%		
Max. temperature change	3 K/s		
Operating temperature	-40 to +80 °C		
Short-term (max. 10 min)	-40 to +100 °C		
Weight (without cable)	43 g/m		
Electrical operating conditions			
When sensor is not actuated			
Terminal resistance (±1%)	1k2, 8k2, others on request		
Nominal output (max.)	250 mW		
When sensor is actuated	Test piece (cylinder) Ø 80 mm, F = 150 N		
Contact transition resistance	< 400 ohms		
Switching current (min. / max.)	DC 1 mA / DC 10 mA		
More than one sensor	Max. 5 in series		
Connection cable	1004733		

Physical resistance

See page 8

Chemical resistance

See page 8